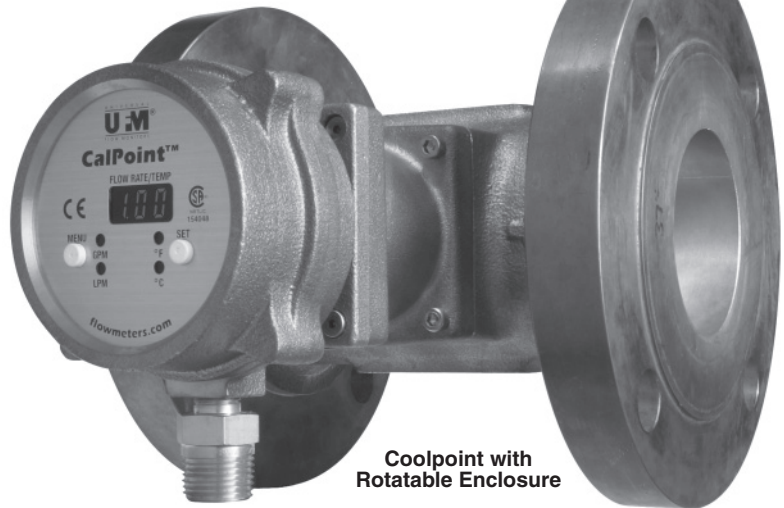


UNIVERSAL® Flow Monitors

Vortex Shedding Flowmeter for Water and Coolant

CoolPoint™



Coolpoint with
Rotatable Enclosure

Description

This flowmeter is made for water, water/glycol coolant or low viscosity fluids.

It has the following features:

- Flow transmitter 4-20 mA
- Solid state relay configurable as alarm set points or pulse output
- LED digital display
- No moving parts to clog or wear
- Certified CSA and CE
- Optional temperature transmitter

Electrical Specifications

- Input Power: 10 - 30 VDC @ 80 mA
- Output: 4-20 mA with solid state relay
- Electrical Connection
 - Pin Connector (standard)
 - Pigtails (optional)
 - Junction Box with terminal strip (optional)

Material Specifications

Flow bodies of brass with PVDF sensors and Viton® seals standard.

User-Configurable Options

Features that are selectable on 4-20 mA/pulse out units include:

- Selectable alarm state (N.O. or N.C.)
- Set point or pulse output
- Rotatable control box standard for all units
- Engineering units (GPM, LPM)

Instrument Specifications

- Flow
 - Visual readout: 3 digit LED, 0.3" digit height
 - Response time: user selectable from 0.9 to 7.5 seconds,
 - Alarm: 5% F.S. deadband
 - Accuracy: $\pm 2\%$ F.S.
 - Repeatability: $\pm .25\%$ of indicated flow
 - Turndown: 10:1
- Temperature (CT units only)
 - Response time: 1.8 seconds
 - Alarm: $\pm 2\%$ deadband
 - Accuracy: $\pm 1\%$ F.S.
 - Repeatability: $\pm .25\%$ of indicated flow
 - Output: 4 mA @32°F, 20mA @210°F linear
- Pressure
 - 200 PSIG (13 Bar) operating pressure
- General
 - Fluid temperature limits: 35-210°F (2-99°C)
 - High temperature option (CP only) with maximum fluid temperature extended to 225°F for one hour wherein the 4-20 mA signal functions but the set points do not.
 - Enclosure rating: IP 65, Type 1, 3, 4, 12 and 13
- Pipe Connections:
 - ANSI Class 150 R.F. Flanges

How To Order *Select the appropriate symbols to build a model code:*

STANDARD CONSTRUCTION FOR BASIC PRODUCTS

Model Code	Pipe Size Inches	Thread or Connection Type	Max Flow Rate GPM (LPM)	10:1 Turndown Min Flow Rate GPM (LPM)
CP24	3	ANSI RF	300 (1136)	30.0 (114)
CP32	4	ANSI RF	600 (2271)	60.0 (227)

FLOW AND TEMPERATURE

CT24	3	ANSI RF	300 (1136)	30.0 (114)
CT32	4	ANSI RF	600 (2271)	60.0 (227)

Standard models have fixed flow rates for each pipe size, brass construction, Viton® seals, 4-20mA output with programmable set point or pulse out selectable.

Example: CP24 is an 3 inch flowmeter with above characteristics.

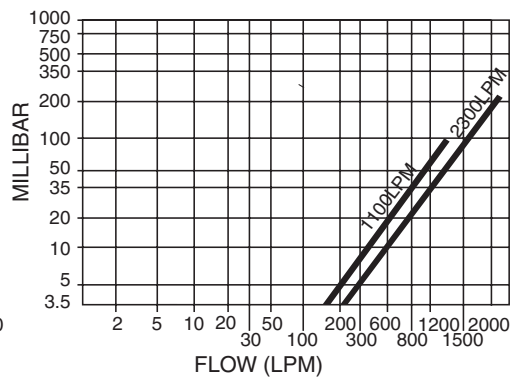
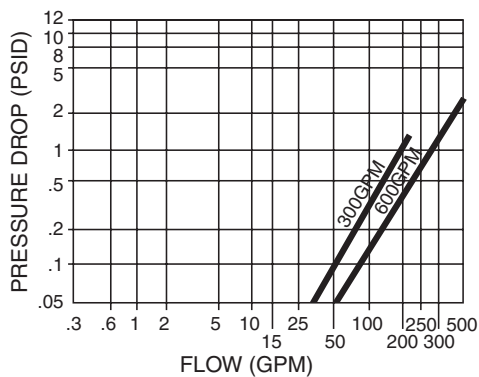
For Special Options - Added symbols required.

Example: CP24-C2 is a standard model with pigtails for wiring instead of a pin connector.

SPECIAL OPTIONS AVAILABLE

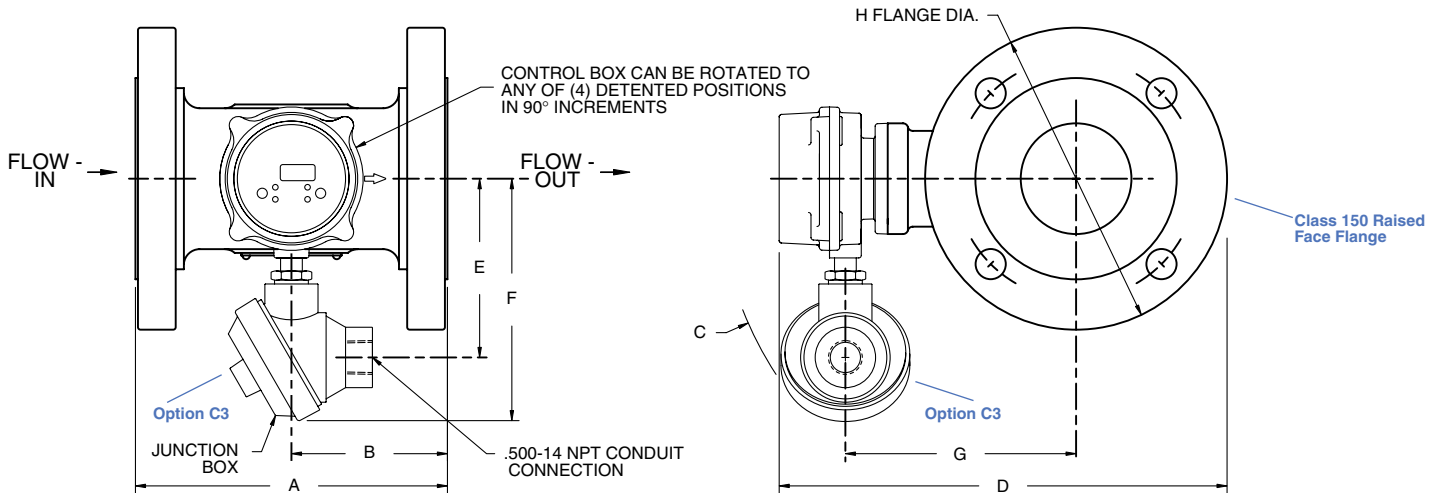
Switch and electronic options	Connector or conduit box
	Pig tails = C2
	Conduit box, terminal strip = C3
Temperature max to 225° for one hour wherein the 4-20 mA signal functions but the set points do not = E15	

PRESSURE DROP CHARTS



INSTALLATION DRAWING – 3" AND 4" PORT SIZE

Size	A	B	C	D	E	F	G	H
CP24 CT24	7.75 [197mm]	3.88 [99 mm]	8.90 [226 mm]	11.13 [283 mm]	4.44 [113 mm]	6.03 [153 mm]	5.73 [146 mm]	7.50 [191 mm]
CP32 CT32	10.75 [273 mm]	5.38 [137 mm]	9.46 [240 mm]	12.57 [319 mm]	4.44 [113 mm]	6.03 [153 mm]	6.43 [163 mm]	9 [229 mm]

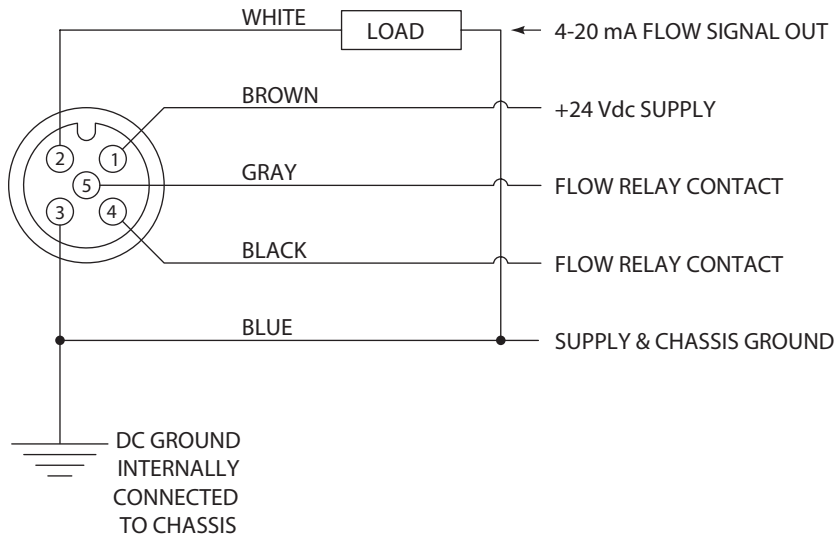


ACCESSORY CABLES AVAILABLE FOR PIN CONNECTOR METERS

Series	Description	Length in Meters	Part Number
CP	5 pin female	1	6241-1M
		3	6241-3M
		10	6241-10M
CT	8 pin female	2	6242-2M
		5	6242-5M
		10	6242-10M

PIN CONNECTOR PINOUTS

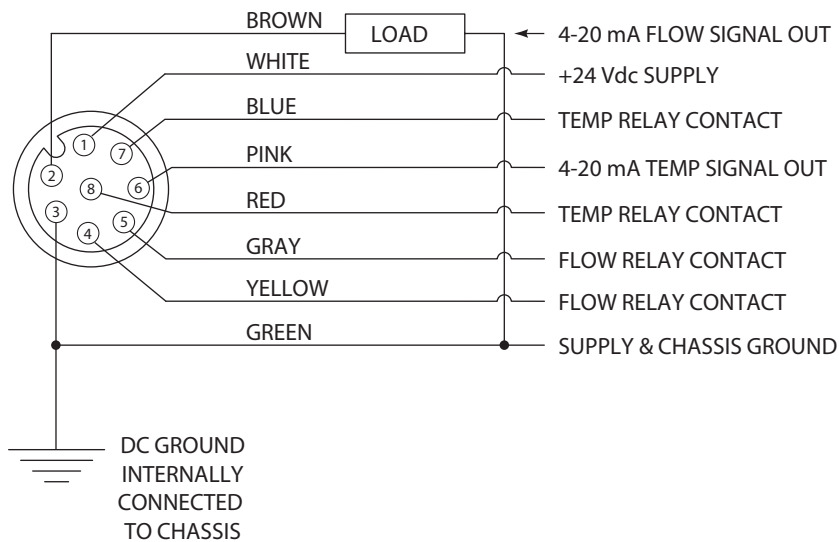
CP (FLOW ONLY)



PIN CONFIGURATION:

- 1: + 24 VDC power supply
- 2: 4-20 mA flow signal out
- 3: power supply ground
- 4: flow relay contact
- 5: flow relay contact

CT (FLOW AND TEMPERATURE)



PIN CONFIGURATION:

- 1: + 24 VDC power supply
- 2: 4-20 mA flow signal out
- 3: power supply ground
- 4: flow relay contact
- 5: flow relay contact
- 6: 4-20 mA temp signal out
- 7: temp relay contact
- 8: temp relay contact